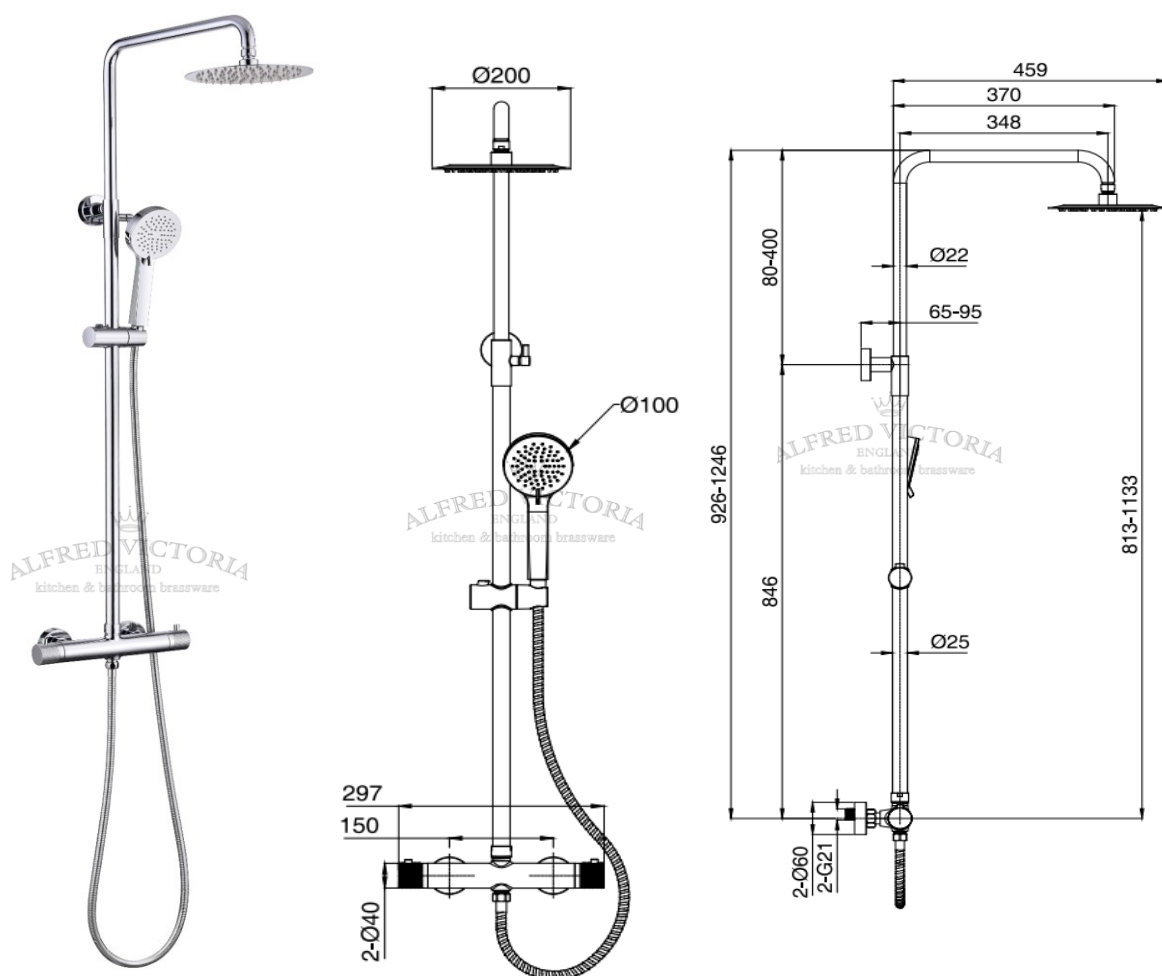


# TECHNICAL DATA SHEET

## QZ23 Thermostatic Shower Mixer With Riser Rail

<b>Barcode</b>	-
<b>Product Code</b>	QZ23
<b>Construction</b>	Brass Body
<b>Finishes</b>	Chrome
<b>Product Type</b>	Contemporary
<b>Water Pressure</b>	Min. 1.0 bar, Max. 6.0 bar
<b>Plumbing Systems</b>	Suitable for all plumbing systems, Hot and Cold water pressure preferably balanced; Max. supply pressure differential requirement no greater than 5:1
<b>Standards</b>	Complies with BSEN 1111
<b>Fitting</b>	S-Union Fitting
<b>Packaging</b>	93 x 43.5 x 36 CM (4 Box /Carton); 91 x 42 x 8.5cm; Weight:5 Kg/Box
<b>Guarantee</b>	10 years against manufacturing faults (excluding serviceable parts)
<b>Additional Information</b>	<ol style="list-style-type: none"> <li>1. Temperature: Pre-set 38°C, with push button override to 48°C</li> <li>2. Automatic shut off in the event of hot or cold water supply failure</li> <li>3. Ultra Slim Shower head : Chrome , Ø200mm</li> <li>4. Shower handset : Chrome , ABS, 3 mode</li> <li>5. Handset holder : Chrome , ABS , adjustable height</li> <li>6. Shower hose : Chrome , Stainless steel, 1.5m</li> <li>7. Rail: Chrome , Adjustable Rail 1246mm</li> </ol>

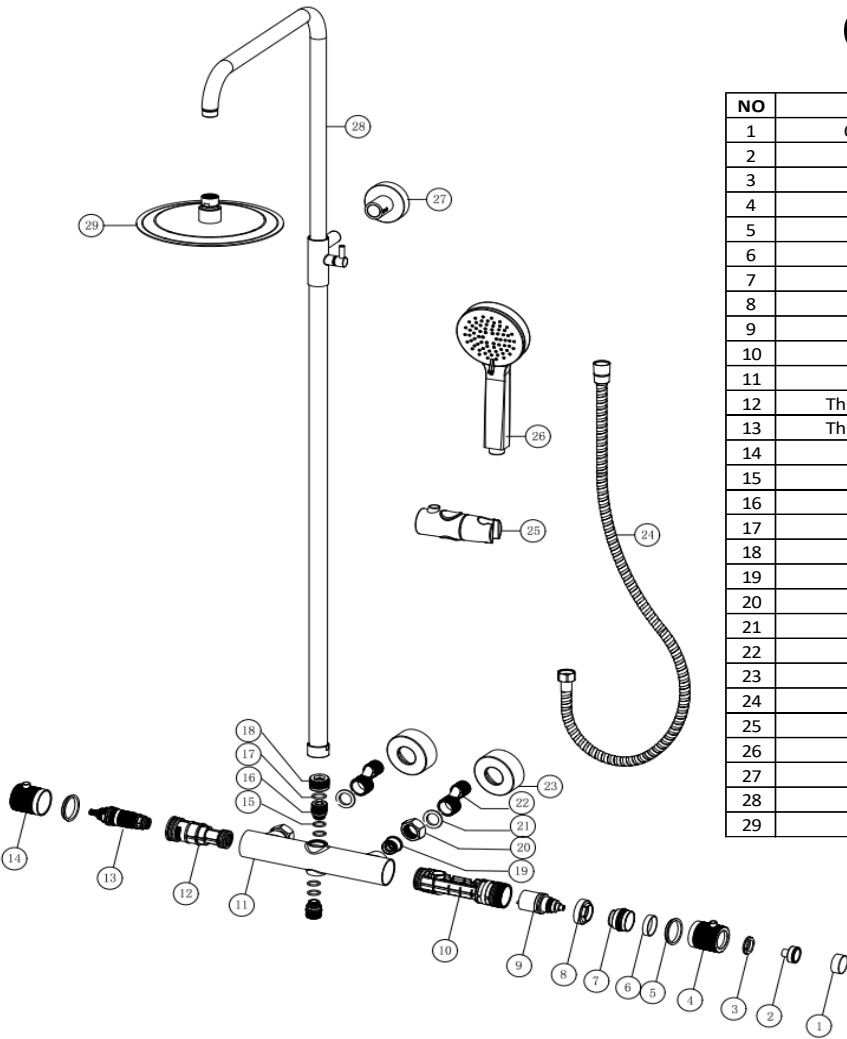


### Flow Rates (Litres per minute)

System Pressure	0.1 Bar	0.2 Bar	0.3 Bar	0.5 Bar	1.0 Bar	1.5 Bar	2.0 Bar	3.0 Bar	4.0 Bar	5.0 Bar
<b>QZ23 Shower Head</b>	1.8	-	3.2	4.0	6.6	-	8.6	11.1	12.8	14.6
<b>QZ23 Handset</b>	1.9	-	3.1	4.0	5.7	-	8.0	9.3	10.5	11.7

The information contained on this page was correct at date of issue. Fitting dimensions are provided as a guide only. Some variation may occur due to manufacturing tolerances. We pursue a policy of continuing improvement in design and performance of our products and so reserve the right to change specifications without prior notice.

# QZ23



NO	Description	QTY
1	On/Off button Cap	1
2	On/Off button	1
3	Lock nut	1
4	Diverter handle	1
5	Wearing ring	1
6	Wearing ring	1
7	Adapter	1
8	Lock nut	1
9	Diverter cartridge	1
10	Body	1
11	Body cover	1
12	Thermo-cartridge base	1
13	Thermo-cartridge base	1
14	Thermo-handle	1
15	O-ring	4
16	G1/2 connector	2
17	O-ring	1
18	G3/4 connector	1
19	Inlet connector	2
20	Nut	2
21	Washer	2
22	S-union	2
23	Wall plate	2
24	Hose	1
25	Handset Holder	1
26	3 mode Handset	1
27	Wall bracket	1
28	Rail	1
29	Shower Head	1

Alfred Victoria Exploded Drawings			Material:	Assembly	Size:	A4
			(Date:D/M/Y)	Scale:	None	Issue No: 01
Drawn by:	Konstantine	28/06/2021				
Checked by:	Lee	28/06/2021				
Approved by:	T. K.	28/06/2021				
Drawing Name:						